

Housekeeping / Bagholders

Magellan Duo 4

Collection of soiled linen and garbage, in addition to Despina



Standard equipment

- Anodised aluminium frame
- 1 compartment for soiled linen with bag 100l and lid
- 1 compartment for garbage bag with lid
- 2 drawers 20l each for chemicals, stationery, ...
- 2 doors (opening up to 270°)
- 1 horizontal steering handle
- 4 swivelling wheels Ø125mm with non-marking polyamide layer
- 4 swivelling corner pads for protection

Technical info

- Net weight (without options): 38 kg
- Allowed weight per shelf: 35 kg

Options

- Broom holder or vacuum cleaner hose holder
- Sliding tray for vacuum cleaner

MAGELLAN DUO 4

Finishes

Compact finishes



Wenge oak look

Ref xx = 11



Black caviar look

Ref xx = 14



Brown buffalo look

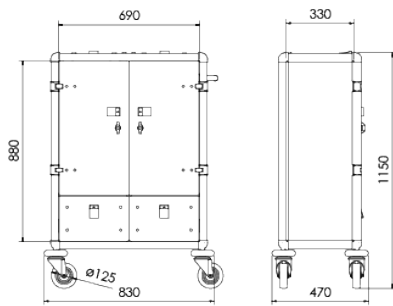
Ref xx = 16



Almond look

Ref xx = 17

Dimensions



CORTES

Overall dimensions

Width	Depth	Height	Wheels Ø
830 mm	470 mm	1150 mm	125 mm

Inside dimensions

Width	Depth
690 mm	330 mm

Reference

Base model
112101xx